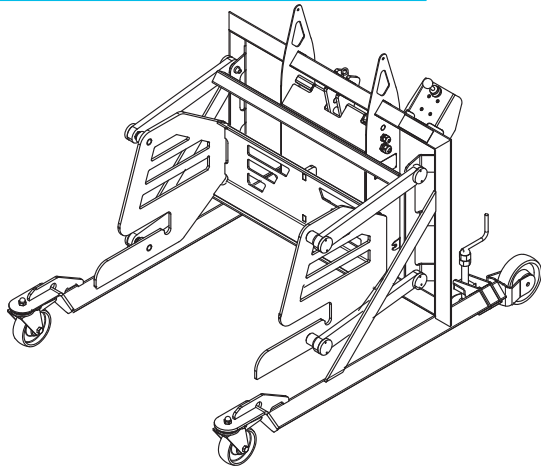


Scale type 2760



Scale type 2760 - mobile version



Scale type 2760

Ergonomic weighing and commissioning

Application

Weighing and commissioning of 200 l and 300 l standard loading trolleys type 2410 (DIN 9797) with the scale type 2760. The containers are raised or lowered pneumatically and weighed directly via an easy-to-operate manual control system. Precise, reliable and ergonomic!

Version

- Robust design made of stainless steel
- Compatible with all common weighing terminals

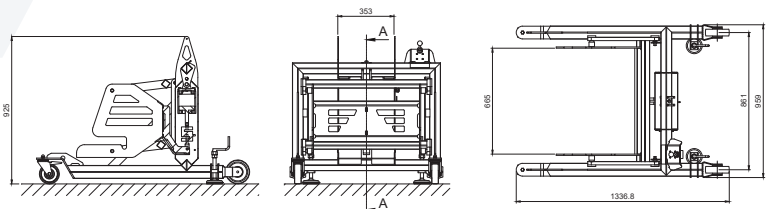
Options

- Stationary or mobile design
- Special design for different containers possible
- Higher loads possible on request

Technical data

Power supply	230V, N/PE
Power consumption	0.5 kW
Main frequency	50 Hz
Air connection	R 1/4", 4-8 bar
Fuse protection	To be provided in the power feed on site
Maximum load	300 kg including container
Room temperature	4°C to 40°C

Technical data may be subject to changes



Contact

CN: shanghai@frontmatec.com
Phone: +86 215 859 4850

DK: kolding@frontmatec.com
Phone: +45 763 427 00

NL: rijssen@frontmatec.com
Phone: +31 886 294 000

UK: birmingham@frontmatec.com
Phone: +44 121 313 3564

frontmatec.com

DE: beckum@frontmatec.com
Phone: +49 252 185 070

ES: barcelona@frontmatec.com
Phone: +34 932 643 800

RU: moscow@frontmatec.com
Phone: +7 495 424 9559

US: kansascity@frontmatec.com
Phone: +1 816 891 2440