

Sterilization basin type 2150



Sterilization basin type 2150

Sterilisation for knives and small parts

Optimal cleaning and disinfection results

- Especially robust and space-saving
- Problem-free and effective in the daily use
- Easy and troublefree operation
- The sterilization basin is ready to be put into operation (equipped with connection and mains plug)
- Available with or without thermometer and lid

Technical data

Type	2,150
Depth	320 mm
Width	160 mm
Height	200 mm
Power supply	230V, N/PE
Nominal power	1.2 KW
Protection device	IP54
Temperature fuse	227°C
Thermostat:	180°C
Water connection	R 3/8"
Water drain	R 3/4"
Filling rate	3,8 l

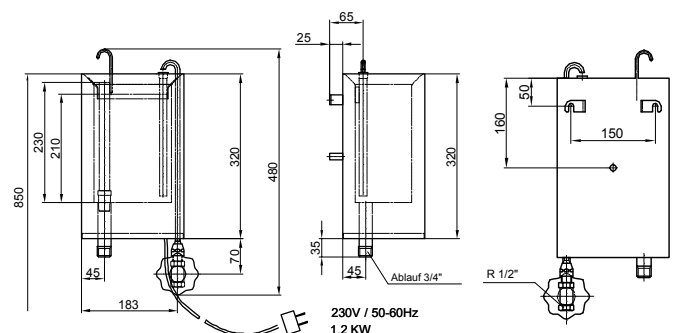
Technical changes are subject to alteration!



The flat radiator has been installed inside of the doublewalled casing. Therefore a calcification or therefore a failure is not possible.



With special equipment to put in 2 knives and a sharpening steel. Optional with 4 knives plus 2 sharpening steels or 6 knives.



Contact

CN: shanghai@frontmatec.com
Phone: +86 215 859 4850

DK: kolding@frontmatec.com
Phone: +45 763 427 00

NL: rijssen@frontmatec.com
Phone: +31 886 294 000

UK: birmingham@frontmatec.com
Phone: +44 121 313 3564

itec-hygiene.com
frontmatec.com

DE: hygiene@frontmatec.com
Phone: +49 252 185 070

ES: barcelona@frontmatec.com
Phone: +34 932 643 800

RU: moscow@frontmatec.com
Phone: +7 495 424 9559

US: kansascity@frontmatec.com
Phone: +1 816 891 2440