

## Inlet Control Twist type 23743



Controlled hand disinfection

## Ergonomic, variable, safe!

### Controlled access release after completed disinfecting of the hands

- Safe hand disinfection and controlled access
- Ergonomic and user-friendly disinfectant/soap removal due to individually adjustable upper housing
- All-round hand disinfection with special spray nozzles
- Complete moistening of the hands with disinfectant
- Access clearance by motor-driven turnstile after hand disinfection, visualized by traffic light LEDs red-green
- Durable, low-maintenance, motor-driven turnstile with various adjustment options
- Connection for card readers
- Adjustable quantity of disinfectant
- Canister empty signal
- Compact dimensions and low installation costs - can be integrated into existing hygiene sluices
- Combinable with all ITEC continuous machines for sole cleaning and disinfection

### Why Inlet Control Twist!

- Ergonomic and user-friendly operation
- Secure access control
- Flexible and simple installation
- Left- and right-hand version available
- Easy integration into existing production access
- Service-friendly construction



## Options

- Available in both left- and right-hand versions
- Pedestal for floor mounting

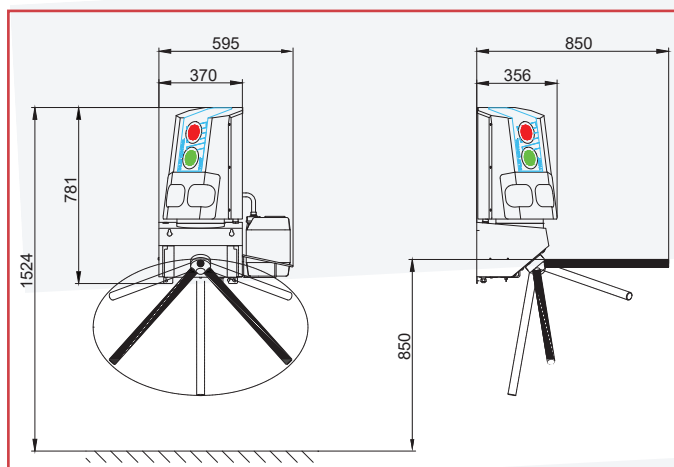
## Technical data

Connection to the network	230V/N/PE
Network frequency	50-60 Hz
Rated power	0.3 kW
Voltage	24V DC
Protective device	IP65

Technical data may be subject to changes



Can be combined with all ITEC walk-through sole cleaners



The position of the upper housing is ergonomically adjustable



## Contact

CN: shanghai@frontmtec.com  
Phone: +86 215 859 4850

DK: kolding@frontmtec.com  
Phone: +45 763 427 00

NL: rijssen@frontmtec.com  
Phone: +31 886 294 000

UK: birmingham@frontmtec.com  
Phone: +44 121 313 3564

itec-hygiene.com  
frontmtec.com

DE: hygiene@frontmtec.com  
Phone: +49 252 185 070

ES: barcelona@frontmtec.com  
Phone: +34 932 643 800

RU: moscow@frontmtec.com  
Phone: +7 495 424 9559

US: kansascity@frontmtec.com  
Phone: +1 816 891 2440