

Mano Control type 23745 / 23746



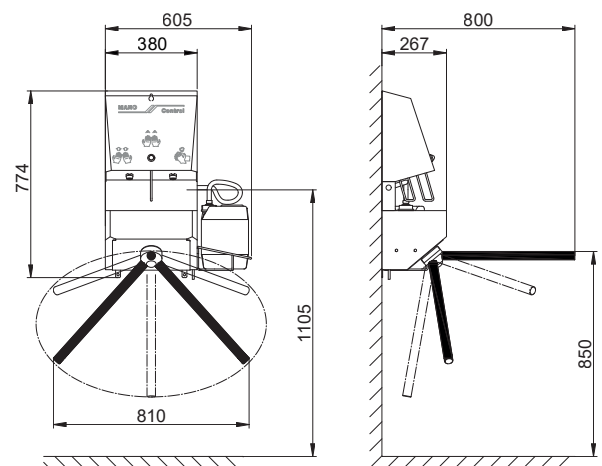
Example sluice

Safe hand disinfection with controlled access release

The Mano Control enables safe and contactless removal of disinfectant with subsequent passage clearance. Hand disinfection is necessary when personnel, visitors etc. move from normal areas to sensitive rooms with increased or high hygiene requirements.

Version

- 2 Hand disinfection via specially arranged nozzles
- Access clearance by motor-driven turnstile after hand disinfection, visualized by LEDs red-green
- 5 l chemical storage with suction lance
- Durable, low-maintenance, motor-driven turnstile with various adjustment options
- Connection for card reader
- Left- and right-hand version available
- Combinable with ITEC hygiene station type 23876-800
- Alternatively available as soap dispenser type 23746



Technical data

Type	23745 / 23746
Power supply	230V, N / PE
Network frequency	50 Hz
Nominal power	0.3 KW
Control voltage	24V DC
Protective device	IP65

Technical data may subject to changes

Contact

CN: shanghai@frontmatec.com
Phone: +86 215 859 4850

DK: kolding@frontmatec.com
Phone: +45 763 427 00

NL: rijssen@frontmatec.com
Phone: +31 886 294 000

UK: birmingham@frontmatec.com
Phone: +44 121 313 3564

itec-hygiene.com
frontmatec.com

DE: hygiene@frontmatec.com
Phone: +49 252 185 070

ES: barcelona@frontmatec.com
Phone: +34 932 643 800

RU: moscow@frontmatec.com
Phone: +7 495 424 9559

US: kansascity@frontmatec.com
Phone: +1 816 891 2440