

Arm-lever dispenser type G 1000



Soap and disinfectant dispenser type G 1000

The manual arm-lever dispenser is suitable for disinfectants (liquid, gel) and soap. The disinfectant is finely atomized by the specially developed nozzle head. The 1 L storage container is lockable. The fill level can be read via the two recesses in the front panel.

Options

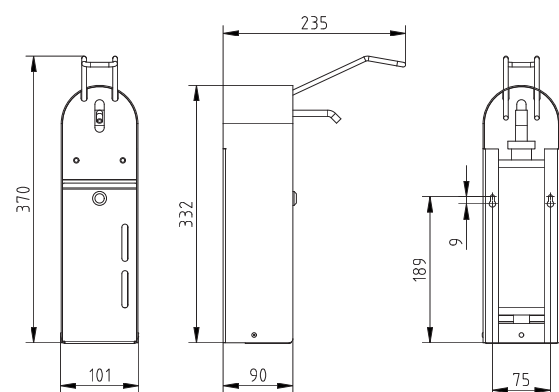
- Drip tray
- Pedestal



Technical details

Type	G 1000
Art. No.	110 080 026
Material	Stainless steel
Housing	Lockable
Room temperature	Min. +4°C, max. +40°C

Technical data may be subject to changes



Contact

CN: shanghai@frontmatec.com
Phone: +86 215 859 4850

DK: kolding@frontmatec.com
Phone: +45 763 427 00

NL: rijssen@frontmatec.com
Phone: +31 886 294 000

UK: birmingham@frontmatec.com
Phone: +44 121 313 3564

itec-hygiene.com
frontmatec.com

DE: hygiene@frontmatec.com
Phone: +49 252 185 070

ES: barcelona@frontmatec.com
Phone: +34 932 643 800

RU: moscow@frontmatec.com
Phone: +7 495 424 9559

US: kansascity@frontmatec.com
Phone: +1 816 891 2440